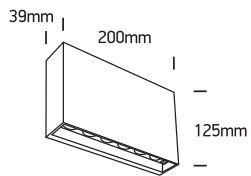


# INSTALLATION MANUAL

67472A

ecolight

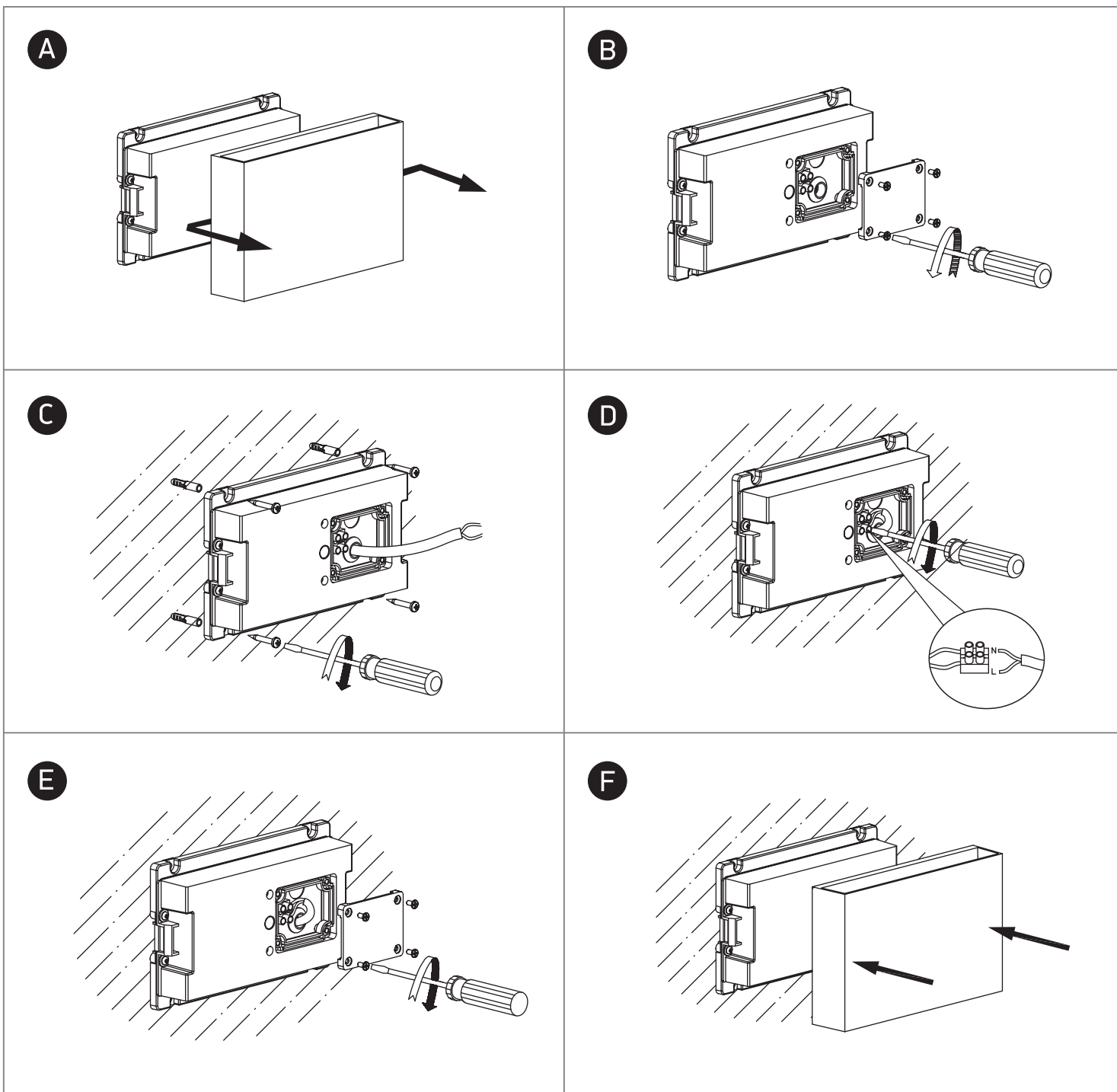


one  
LIGHT

230V | SMD2835 | 6W | IP65 | ABS + PC

Complete with 300mA driver.

80  
CRI



## Warnings:

1. Make sure that the product is installed properly before connecting to electricity.
2. Do not cover the fitting.
3. Maintenance and installation should only be carried out by a professional electrician.